


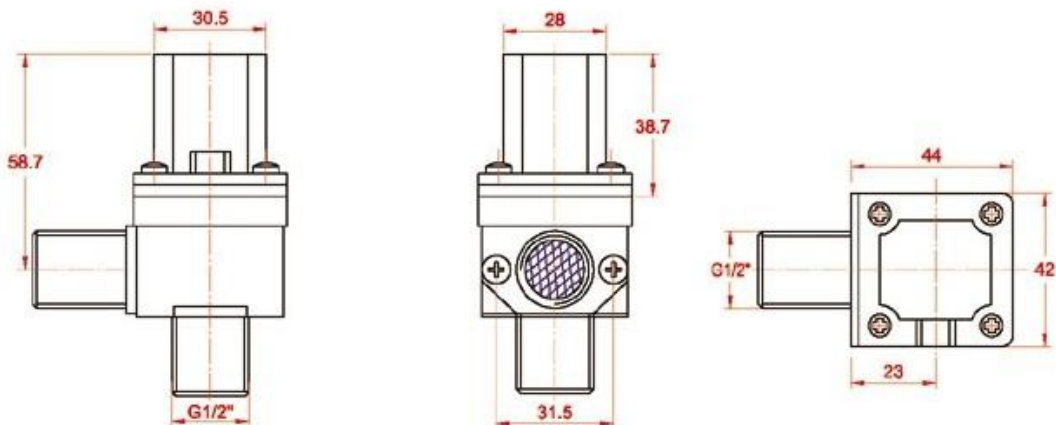
# TECHNICAL DESCRIPTION

## Magnet Valve 6V



## TECHNICAL PARAMETERS

<b>Type:</b>	MAGNET VALVE VTF-138
<b>Item number:</b>	VTF1381305
<b>Voltage:</b>	DC 4.5 – 6V
<b>Coil resistance</b>	17.5 $\Omega$ $\pm$ 0.5 $\Omega$ (20C°)
<b>Connection method</b>	Direct impuls
<b>Temperature range</b>	1 – 75 C°
<b>Connecting time</b>	open $\leq$ 0.15s close $\leq$ 0.5s // $\geq$ 25 ms 0.02Mpa-0.8Mpa
<b>Flowing volume</b>	<p>0.02 pa <math>\geq</math> 3L/min ;            0.1Mpa <math>\geq</math> 16L/min;            0.8Mpa <math>\geq</math> 40L/min</p> 
<b>Lifetime</b>	$\geq$ 1.000.000 switching
<b>Materials</b>	40% yellow brass , 60% plastic, connector- stainless steel



## **DESCRIPTION**

The magnet valve is especially recommended for different kind of controls which works with battery. As it does not need continuous voltage, it is enough to place under current only during the time of the switching. Due to this reason the device save up not only water but energy as well.

Due to future service works and to be able to achieve better water flowing it is recommended to place a cut-off valve in front of the device.

## **IMPORTANT!**

**The device can be assembled and fixed only by technician!**

**The magnet vale is suitable only for indoor use !**

**Avoid watery cleaning - Clean only with damp wipes!**

**The device must not be used with damaged cable!**

**The manufacturer does not take any responsibilities in the following cases**

- in case of unsuitable usage**
- if the device is used not according to it's function**
- in case of incorrect installation**
- usage under unsuitable voltage**



## MAINTENANCE

In case of slower water flowing- e.g. obstructing of the ingoing part of the filter – the device needs cleaning. As the product is a specialized valve, we recommend you to contact our engineering department.

## DISTRIBUTOR, MANUFACTURER, SERVICE

Consumer can call upon for service:

<b>Name</b>	Zvara Tibor ev. ....
<b>Address</b>	HUNGARY H-3300 Eger, Pacsirta u. 10/A.....
<b>Phone no.</b>	+36 30 648 0209.....
<b>E-mail</b>	<a href="mailto:tibor.zvara@gmail.com">tibor.zvara@gmail.com</a> .....
<b>WEB</b>	<a href="http://www.zt-elektronika.hu">www.zt-elektronika.hu</a> .....